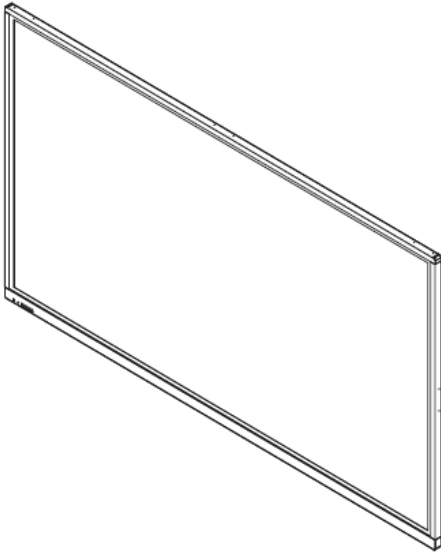


## LCD MONITOR

MODEL PN-85TH1



## Dismantle Instruction

---

## Table of contents

---

1. Scope .....	3
2. Tools for dismantling.....	3
3. Dismantle Procedure .....	3
4. Back covers .....	4
5. Printed circuit boards .....	5
6. Battery.....	6
7. LCD Module .....	7
8. Capacitors.....	8
9. Parts List .....	8

## **1. Scope**

This document describes dismantling instruction according to Annex VII of Directive 2012/19/EU.

## **2. Tools for dismantling**

Below tools are required to dismantle this product.

- Screw Driver
- Nipper

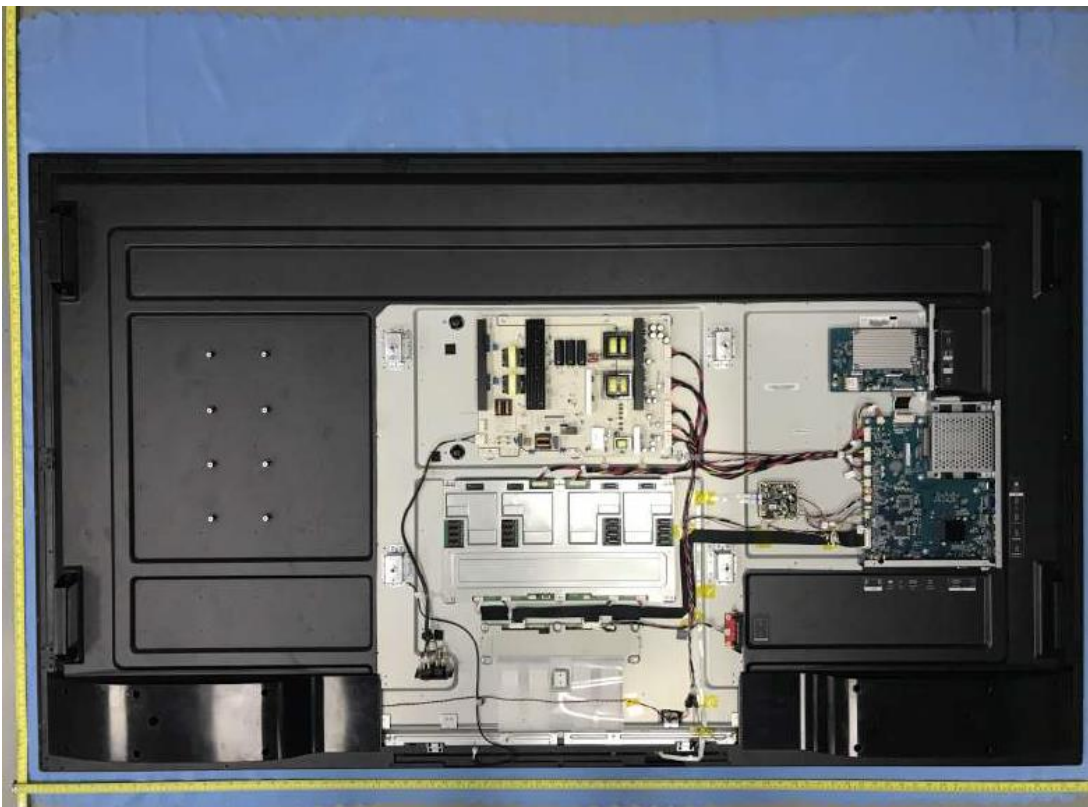
## **3. Dismantle Procedure**

This product can be dismantled by below steps.

1. Remove Back covers (section 4)
2. Remove the shielding
3. Remove Printed circuit boards (section 5)
4. Remove Battery (section 6)
5. Dismantle LCD (section 7)
6. Remove Electrolyte Capacitors (section 8)

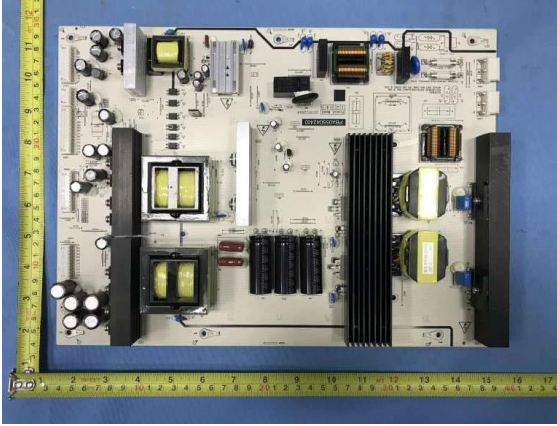
## 4. Back covers

Back covers can be removed by screw driver.



## 5. Printed circuit boards

All PWBs can be removed by screw driver.



Power board (1pcs)



Video board (1pcs)



ARM board (1pcs)



Touch panel board (1pcs)



Option board (1pcs)



IR/Key board (1pcs)

## 6. Battery

This model uses CR2032 Lithium Coin battery on Main I/F PWB and AAA battery for remote control. Battery can easily be removed from the battery holder.

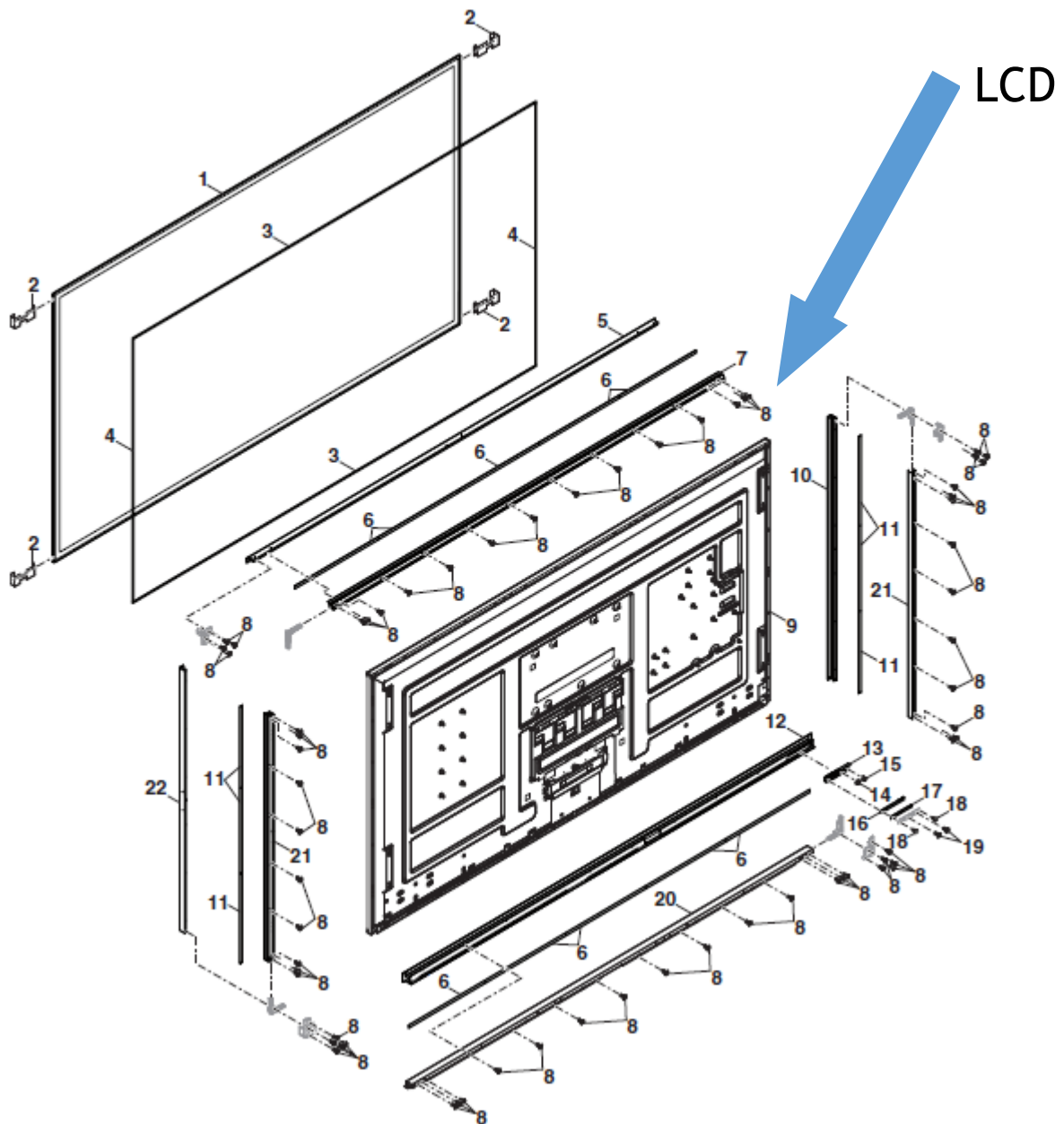




## 7. LCD Module

LCD Dismantle procedure

1. Remove the Brackets for touch panel mounting
2. Remove the Touch panel
3. Remove the Rear cover
4. Remove the PWBs
5. Remove the Cables



## 8. Capacitors

Electrolyte Capacitors which diameter/height is larger than 25mm is installed on the Power PWB.

These capacitors can be removed by using nipper to cut the leads.



## 9. Parts List

Parts described in Annex VII of directive 2012/19/EU are as below.

Parts	Note
LCD	85inch LCD module
Batteries	Battery CR2032 of the main board Battery(AAA) of remote control
Printed Circuit Boards	Power board Video board ARM board Touch panel board Option board IR/Key board
Electrolyte capacitors (height >25mm, diameter >25mm)	On the Power PWB
External electric cables	2 kinds of Power Cord - CEE 7 (for EU) - Type-BF (for UK)